




PROTEA[®]
STANDARD PRODUCTS • BESPOKE
DESIGN • UNIQUE SOLUTIONS

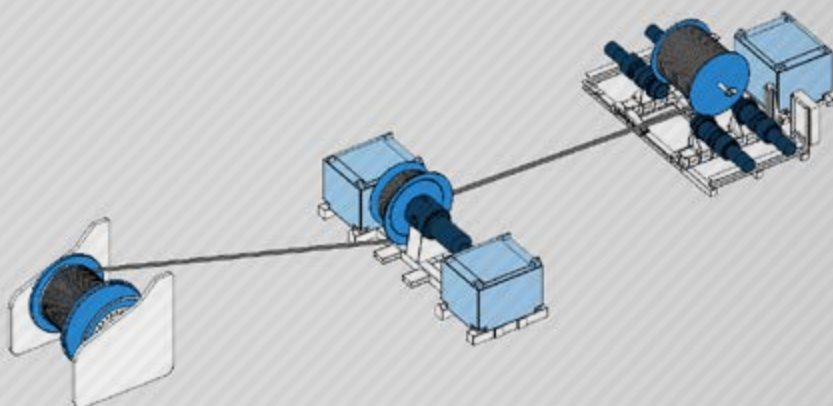
Wire Rope Spooling System

To save its client's time and money when replacing wire ropes, Protea has developed a purpose built Wire Rope Spooling System. It comprises of a Capstan Winch and a hydraulic Under Roller Drive System and can be used to spool wire ropes with a diameter of up to 60mm.

The system ensures safe, rapid and reliable rope replacement and is suitable for use at both a production facility or at an external site such as a shipyard.



GENERAL ARRANGEMENT



CAPSTAN DATA

Max. winch SWL	100 mT
Max. rope diameter	Ø 60mm
Capstan max. load capacity	10 mT
Number of coils on Capstan drum	6

ROPE ROLLER WINDER

Max. rope + reel weight	50 mT
Max. rope pull force	30 kN
Max. reel length	1,5 m
Max. reel flange diameter	Ø 2,4 m

